

# Diaphragm Seal Piston Press. Switches

## Type **MSPS**

Mechanical single switch  
 Repeatability  $\pm 2.0$  % at constant temperature

### Features

Metal diaphragm pressure switch,  
 Set point can be adjusted with corresponding reference pressure during operation

### Adjustment ranges

0.1 ... 6.8 bar

### Applications

Air conditioning,  
 Ventilation control,  
 Steam ejectors



### Technical Data

<b>Wetted parts:</b>	
Diaphragm:	NBR
Process connection:	Stainless steel 1.4401
<b>Repeatability:</b>	$\pm 1$ % at constant temperature
<b>Switching rate:</b>	max. 20/min
<b>Temperature range:</b>	-5 °C... +70 °C
<b>Protection class:</b>	IP00
<b>Housing:</b>	---
<b>Process connection:</b>	1/8" NPT male thread
<b>Electrical connection:</b>	Spade connector 6,3 DIN 46244
<b>Electrical ratings and hysteresis:</b>	Many micro switch versions with different switching powers and hysteresis are applicable and make it possible to make customized changes.

<b>Weight:</b>	MSPS-...: approx. 0.2 kg
<b>Set point adjustment:</b>	Turn the adjustment screw clockwise to increase the set point
<b>Intrinsically safe:</b>	The switches are designed for intrinsically safe applications. Please add "Exi" to your ordering details when placing an order. To comply with the intrinsically safe approval following max. ratings must not be exceeded: $U_{max} = 28$ V $I_{max} = 50$ mA
<b>Approval:</b>	---

### Pressure Ranges

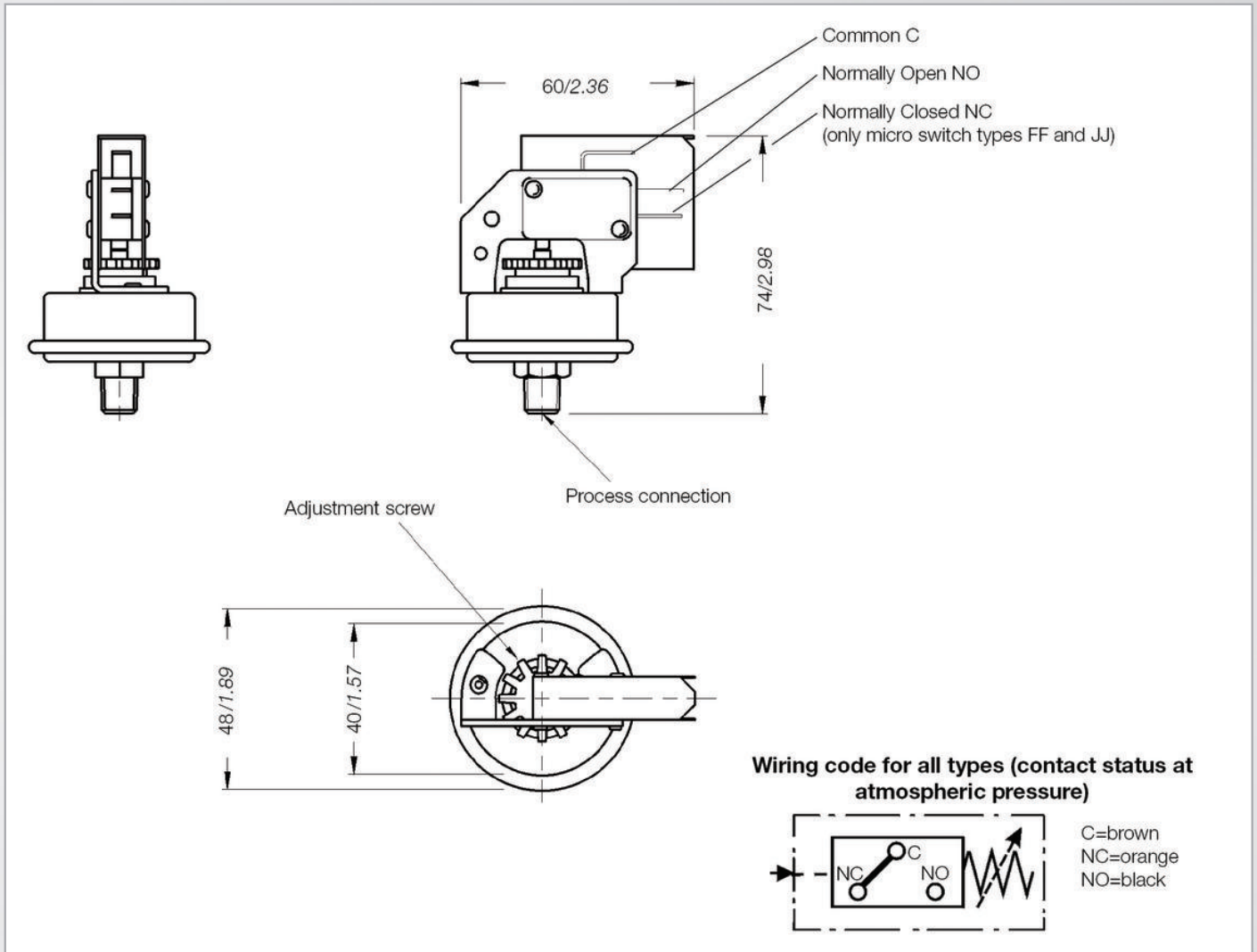
Pressure range code	Adjustment range [bar]		Max. operating pressure [bar]	Proof pressure [bar] (short term)	Max. hysteresis of switch types in bar (end of range)	
	Increasing press.	Decreasing press.			EE, FF [bar]	DD, JJ [bar]
5SS	0.1 ... 0.34	0.04 ... 0.305	4.6	6.9	0.035	0.040
15SS	0.2 ... 1.00	0.10 ... 0.900	4.6	6.9	0.055	0.068
100SS	1.2 ... 6.80	0.70 ... 6.300	6.8	10.0	0.540	0.620

# Pressure

## Diaphragm Seal Piston Press. Switches

**Type MSPS**

### Dimensions (mm / inch)



### Electrical Ratings

Micro switch	Special features	Volt AC 50/60 Hz	Ind. load A	Res. load A	Volt DC	Ind. load A	Res. load A	Comments
EE, FF	Micro switch with silver contacts	125 250	3	3	---	---	---	Medium hysteresis; High AC voltage
DD, JJ	Micro switch with silver contacts	125 250	15	15	125 250	0.50 0.25	0.50 0.25	Medium hysteresis; High AC voltage

### Order Code

Example for order number

Type	Micro switch	Pressure range code
MSPS	FF	15SS

Your order number

Type	Micro switch	Pressure range code



TR Automatyka Sp. z o. o.  
ul. Lechicka 14 ; 02-156 Warszawa

Tel. (+48 022) 886 10 16  
Fax. (+48 022) 846 50 37

[www.trautomatyka.pl](http://www.trautomatyka.pl)  
[biuro@trautomatyka.pl](mailto:biuro@trautomatyka.pl)

Subject to technical changes.

**Barksdale**