



DM 10

Battery Powered Digital Pressure Gauge

Ceramic Sensor

class 0.5

Nominal pressure

from 0 ... 1.6 bar up to 0 ... 250 bar

Special characteristics

- ▶ adjustable housing
- ▶ LC display
4.5-digit 7-segment display
- ▶ standard battery CR 2450
operation period > 1.800 h

Functions

- ▶ min / max function with reset function
- ▶ auto-zero
- ▶ setting of pressure unit
(bar, mbar, psi, MPa, mH₂O)
- ▶ automatic switch-off configuration

The compact low-cost digital pressure gauge DM 10 is battery-powered and has an adjustable housing; it is thus extremely suitable for mobile pressure monitoring. The 4.5-digit LC-display indicates the battery status, the measurement value as well as the unit, this enables a fast and precise reading.

It is possible to switch between the most common units (bar, psi, Pa, MPa). Additional functions as auto-zero, min / max values and an automatic switching-off complete the DM 10 profile.

Preferred areas of use are



Mobile Pressure Monitoring
Plant and Machine Engineering
Pneumatics / Hydraulics



Environmental Engineering
(water – sewage – recycling)

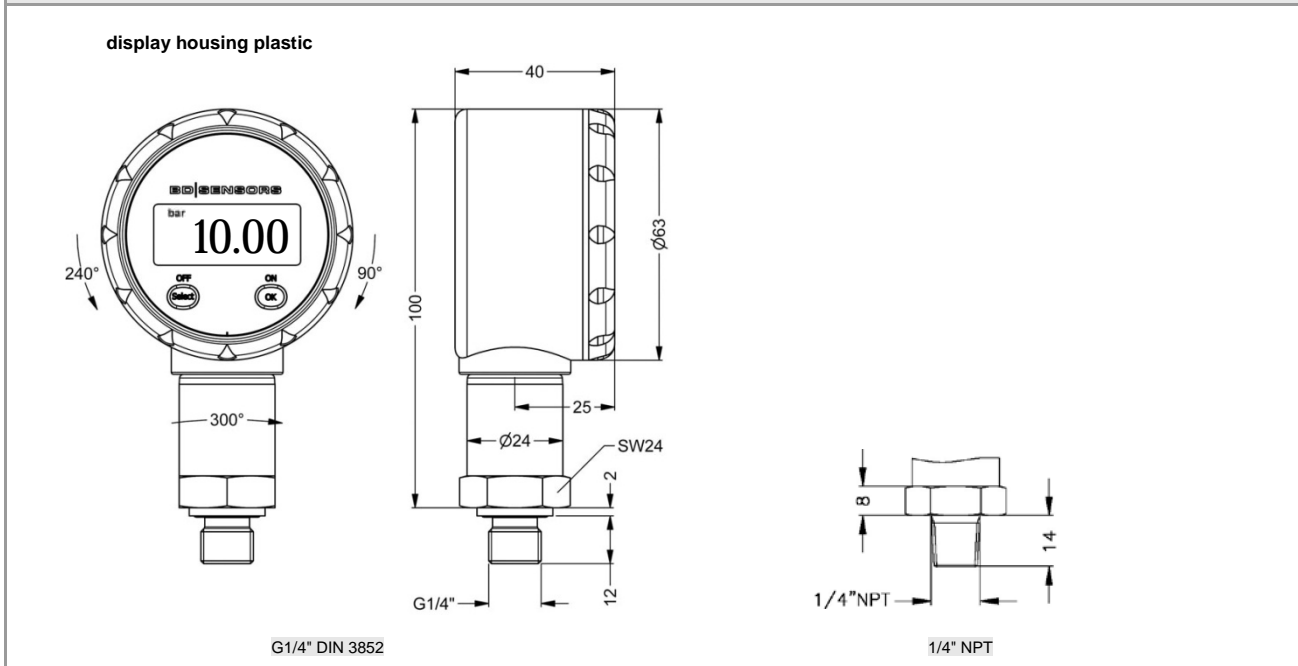


Input Pressure													
Nominal pressure gauge [bar]		1.6	2.5	4	6	10	16	25	40	60	100	160	250
Overpressure [bar]		4	4	10	10	20	40	40	100	100	200	400	400
Burst pressure [bar]		7	7	15	15	35	70	70	150	150	250	450	450
Vacuum resistance		unlimited											

Performance	
Accuracy ¹	≤ ± 0.5 % FSO BFSL
Measuring rate	1/sec
Long term stability	≤ ± 0.3 % FSO / year
¹ accuracy according to IEC 60770 – minimum value setting (non-linearity, hysteresis, repeatability)	
Thermal effects (Offset and Span)	
Tolerance band	≤ ± 0.5 % FSO / 10 K (typ.) in compensated range 0 ... 50 °C
Permissible temperatures	
Permissible temperatures	medium: -25 ... 85 °C environment: 0 ... 70 °C storage: 0 ... 70 °C
Materials	
Pressure port / housing	stainless steel 1.4301 (304)
Display housing	PA 6.6, Polycarbonate
Seals (media wetted)	FKM others on request
Diaphragm	ceramics Al ₂ O ₃ 96 %
Media wetted parts	pressure port, seals, diaphragm
Miscellaneous	
Display	LC-Display, visible range 36 x 15 mm; 4.5-digit 7-segment-display, digit size 8.5 mm, range of indication ±1999
Electromagnetic compatibility	emission and immunity according to EN 61326
Supply	3 V lithium battery (CR 2450)
Data storage	EEPROM (non-volatile)
Ingress protection	IP 65
Installation position	any
Weight	plastic: approx. 150 g
Operational life of battery	min. 1500 h with permanent operation
Mech. operational life	> 100 x 10 ⁶ pressure cycles
CE-conformity	EMC directive 2004/108/EC pressure equipment directive: 97/23/EC (Modul A) ²

²This directive is only valid for devices with maximum permissible overpressure > 200 bar.

Dimensions (in mm)



This data sheet contains product specification, properties are not guaranteed. Subject to change without notice.

Ordering code DM 10

DM 10																			
Pressure																			
	gauge	M	0	4															
Input	[bar]																		
	1.6		1	6	0	1													
	2.5		2	5	0	1													
	4.0		4	0	0	1													
	6.0		6	0	0	1													
	10		1	0	0	2													
	16		1	6	0	2													
	25		2	5	0	2													
	40		4	0	0	2													
	60		6	0	0	2													
	100		1	0	0	3													
	160		1	6	0	3													
	250		2	5	0	3													
	customer		9	9	9	9													consult
Accuracy	[BFSL]																		
	0.5 %						B	8											
	customer						9	9											consult
Mechanical connection																			
	G1/4" DIN 3852						3	0	0										
	1/4" NPT						N	4	0										
	customer						9	9	9										consult
Seals																			
	FKM									1									
	customer									9									consult
Pressure port																			
	Stainless steel 1.4301 (304)										2								
	customer										9								consult
Diaphragm																			
	Ceramics Al ₂ O ₃ 96%											2							
	customer											9							consult
Front foil																			
	standard																	1	
	neutral																	N	
	customer																	9	consult
Special version																			
	standard													0	0	0			
	customer													9	9	9			consult

This price list contains product specification; properties are not guaranteed. Detailed information about options are defined in the datasheet. Subject to change without notice.

0F.ē .201H

