

FEATURES

- The piston cartridge pulse valves are especially designed for dust collector service applications, combining high flow, long life and extremely fast opening and closing to produce reliable and economical operation
- The angle bodies and special piston cartridge result in unique operating features required for dust collector service applications
- The high quality polyacetal (POM) piston cartridge guarantees a long operating life and a large temperature range
- The design with Quick Mount connections eliminates the time consuming thread cutting and sealing resulting in maximum flexibility while the valve will be anchored to the pipes
- Built-in silencers reduce noise and prevent foreign particles from entering the valve
- The integral operators are provided with epoxy moulded F-class coils. Various optional waterproof and explosionproof solenoids for use in potentially explosive atmospheres (gas & dust) according to Directive ATEX 94/9/EC can be mounted on the same basic valve (see pages 49 to 57)
- The components satisfy all relevant EC directives



GENERAL

Differential pressure (PS) 0,3 - 8,5 bar [1 bar = 100kPa]
Ambient temperature range -20 to +85°C

fluid	temperature range (TS)	piston
air	-20 to +85°C	POM (polyacetal)

CONSTRUCTION

Body	Aluminium
Bonnet	Aluminium
Quick Mount clamps	Steel
Bolts	Steel
Core tube	Stainless steel
Core and plugnut	Stainless steel
Core spring	Stainless steel
Sealings & disc	NBR (nitrile)
Piston/cartridge	POM (polyacetal) / NBR (nitrile)
Shading coil	Copper
Coil insulation class	F
Connector	Spade plug (cable Ø 6 - 8 mm)
Connector specification	3 x DIN 46244
Electrical safety	IEC 335

ELECTRICAL CHARACTERISTICS

Standard voltages DC (=) : 24V
(Other voltages and 60 Hz on request) AC (~) : 24V - 115V - 230V / 50 Hz

coil type	nominal power ratings				ambient temperature range (°C)	protection
	inrush ~ (VA)	holding ~ (VA)	hot/cold = (W)	hot/cold = (W)		
CM22-FB CM22-FI (1)	14,5 -	11 -	6,3 -	- 15 / 22	-20 to +85	moulded IP65

SPECIFICATIONS

pipe size	orifice size (mm)	flow coefficient Kv		operating pressure differential (bar)		coil type		catalogue number		Quick Mount clamps
		(m³/h)	(l/min)	min.	max. (PS) air	~	= (1)	standard	ATEX dust II3D	
(G*) - Threaded pipe connection										
3/4	20	14	233	0,3	8,5	CM22-FB	CM22-FI	SC E353A811	SCDU E353A811	-
1	25	23	383	0,3	8,5	CM22-FB	CM22-FI	SC E353A821	SCDU E353A821	-
1 1/2	40	46	768	0,3	8,5	CM22-FB	CM22-FI	SC E353A831	SCDU E353A831	-
(Ø) - Quick Mount connection on inlet										
3/4	20	14	233	0,3	8,5	CM22-FB	CM22-FI	SC S353A811	SCDU S353A811	C117-281
1	25	23	383	0,3	8,5	CM22-FB	CM22-FI	SC S353A821	SCDU S353A821	C117-282
1 1/2	40	46	768	0,3	8,5	CM22-FB	CM22-FI	SC S353A831	SCDU S353A831	C117-290
(Ø) - Quick Mount connection on inlet & Outlet										
3/4	20	14	233	0,3	8,5	CM22-FB	CM22-FI	SC S353A711	SCDU S353A711	C117-281
1	25	23	383	0,3	8,5	CM22-FB	CM22-FI	SC S353A721	SCDU S353A721	C117-282
1 1/2	40	46	768	0,3	8,5	CM22-FB	CM22-FI	SC S353A731	SCDU S353A731	C117-290

(1) Intermittent duty, Relative Duty Time is 10%. Max. on time 1 min.

OPTIONS

- Waterproof enclosure with embedded screw terminal coil according to protection class IP67, CEE 10.
- Explosionproof solenoids for hazardous locations according to "ATEX" and national standards.
- Explosionproof and watertight solenoids according to "NEMA" standards.
- Plug with visual indication and/or peak voltage suppression.
- Electronic timer.

INSTALLATION

- The valves can be mounted in any position without affecting operation.
- Pipe connection identifiers are: G*= combination thread according to ISO 228/1 and ISO 7/1 or Ø for Quick Mount.
- For Quick Mount types tightness is achieved by the O-ring sealing on the pipes (3/4"=Ø26,4 to 27,4 and 1"=Ø33,2 to 34,2 and 1 1/2"=Ø47,8 to 48,8) according to ISO 4200.
- Other pipe threads are available on request.
- Installation/maintenance instructions are included with each valve.
- Spare parts kit and replacement coils are available.

DIMENSIONS (mm), WEIGHT (kg)

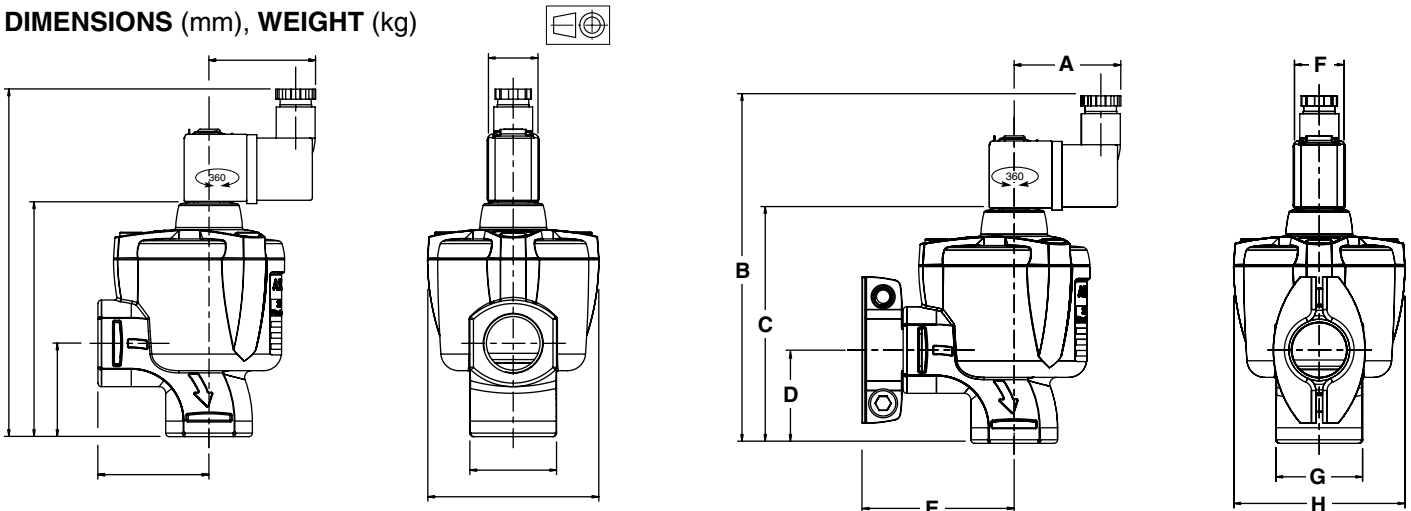


Fig. 1: Threaded type

Fig. 2: Quick Mount type (inlet only)

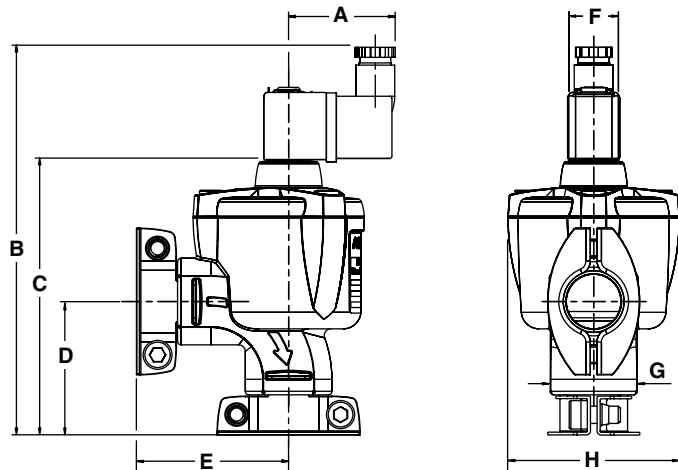
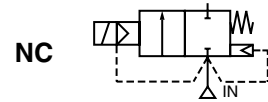


Fig. 3: Quick Mount type (inlet & outlet)

catalogue number	A	B	C	D	E	F	G	H	weight (1)	(C)
SC(DU) E353A811	48	156	106	42	50	22	39	77	0,52	Fig.1
SC(DU) E353A821	48	162	112	51	62	22	46	77	0,63	Fig.1
SC(DU) E353A831	48	191	141	60	71	22	62	112	1,17	Fig.1
SC(DU) S353A811	48	156	106	42	70	22	39	77	0,60	Fig.2
SC(DU) S353A821	48	162	112	51	83	22	46	77	0,69	Fig.2
SC(DU) S353A831	48	191	141	60	97	22	62	112	1,37	Fig.2
SC(DU) S353A711	48	176	126	62	70	22	39	77	0,68	Fig.3
SC(DU) S353A721	48	183	133	71	83	22	46	77	0,80	Fig.3
SC(DU) S353A731	48	217	167	80	97	22	62	112	1,58	Fig.3

(1) incl. coil and connector (C) construction type

All leaflets are available on: www.asconumatics.eu



FEATURES

- The diaphragm pulse valves are especially designed for dust collector service applications, combining high flow, long life and extremely fast opening and closing to produce reliable and economical operation
- The high flow, angle type bodies, springless construction, in combination with the special diaphragm assemblies give the unique operating features required for dust collector service applications
- Integral compression fittings for fast, easy, secure installation
- Built-in silencers reduce noise and prevent foreign particles from entering the valve
- The integral operators are provided with epoxy moulded F-class coils. Various optional waterproof and explosionproof solenoids for use in potentially explosive atmospheres (gas & dust) according to Directive ATEX 94/9/EC can be mounted on the same basic valve (see pages 49 to 57)
- The valves satisfy all relevant EC directives

GENERAL

Differential pressure (PS) 0,35 - 8,5 bar [1 bar = 100kPa]
Ambient temperature range -20 to +85°C

fluids (*)	temperature range (TS)	diaphragm (*)
air	-20 to +85 °C	TPE

MATERIALS IN CONTACT WITH FLUID

(*) Ensure that the compatibility of the fluids in contact with the materials is verified

Body	Aluminium / Stainless steel 316L
Core tube	Stainless steel
Core and plugnut	Stainless steel
Core spring	Stainless steel
Sealings & disc	NBR (nitrile)
Diaphragm	TPE (thermoplastic polyester elastomer)
Shading coil	Copper
Coil insulation class	F
Connector	Spade plug (cable Ø 6 - 10 mm)
Connector specification	ISO 4400
Electrical safety	IEC 335

ELECTRICAL CHARACTERISTICS

Standard voltages DC (=): 24V
 (Other voltages and 60 Hz on request) AC (~): 24V - 115V - 230V / 50 Hz

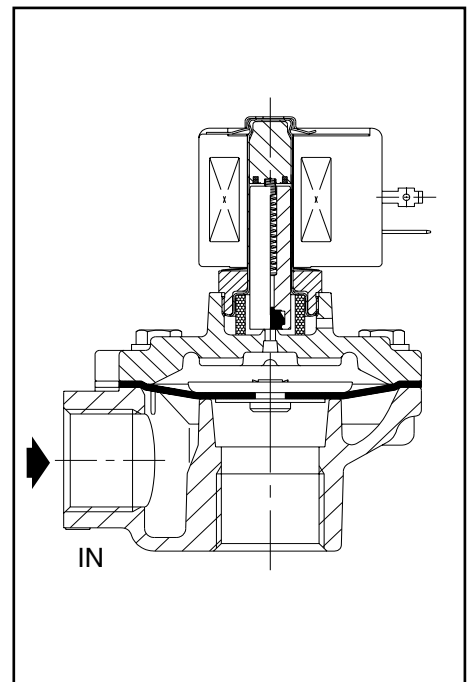
coil type	nominal power ratings				operator temperature range (TS) (°C)	protection
	inrush ~	holding ~		hot/cold =		
	(VA)	(VA)	(W)	(W)		
CM6-FT	34	15,6	6	-	-20 to +85	IP65/IP67
CM6-FT (1)	-	-	-	14 / 20,8		IP65/IP67
CMXX-FT	55	23	10,5	-		ATEX-NF
CMXX-FF	-	-	-	14 / 19,7		ATEX-NF

(1) Intermittent duty, Relative Duty Time is 10%. Max. on time is 1 min.

SPECIFICATIONS

pipe size	orifice size	flow coefficient Kv		operating pressure differential (bar)		prefix optional solenoids					catalogue number		FPM
				min.	max. (PS)	ATEX							
G	(mm)	(m³/h)	(l/min)		air (*)	SC	WP	SCDU	WP(T)DU	NF	aluminium	stainless steel 316L	
G - Threaded pipe connection													
3/4	24	14	233	0,35	8,5	●	●	●	●	●	G353A043	G353A132	V
1	27	17	283			●	●	●	●	●	G353A044	G353A133	V
Ø - Compression fitting pipe connection													
3/4	24	14	233	0,35	8,5	●	●	●	●	●	G353-052	-	V
1	27	17	283			●	●	●	●	●	G353-053	-	V

● : Available feature



OPTIONS

- Waterproof enclosure with embedded screw terminal coil according to protection class IP67, CEE 10
- Explosionproof solenoids for hazardous locations according to ATEX and national standards
- **IECEX** certification
- Compliance with “**UL**” standards
- Plug with visual indication and/or peak voltage suppression
- Electronic timer
- Valves can also be supplied with FPM (fluoroelastomer) diaphragms and seals. Use the appropriate optional suffix letter for identification

INSTALLATION

- The valves can be mounted in any position without affecting operation
- Threaded pipe connection is G (ISO 228/1) or compression fitting
- For compression fitting types tightness is achieved by the compressed gasket on the blow tube
- The use of the rubber gaskets as sealing members will allow a slight misalignment in piping when using compression fittings
- Other pipe threads are available on request
- Installation/maintenance instructions are included with each valve
- Spare parts kits and replacement coils are available

DIMENSIONS (mm), WEIGHT (kg)

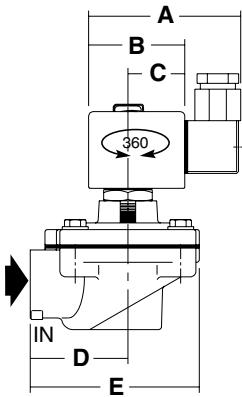


Fig. 1: Threaded pipe connection - aluminium

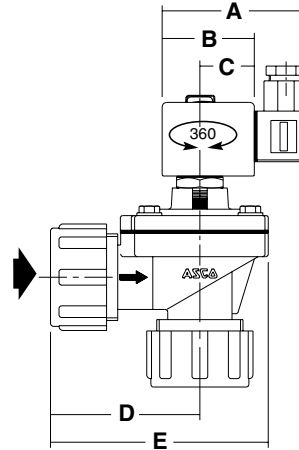
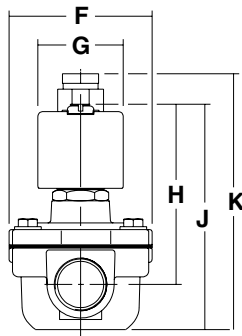


Fig. 2: Compression type fitting - aluminium

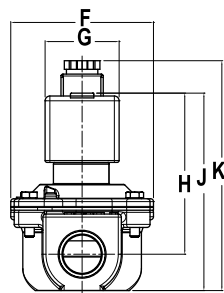
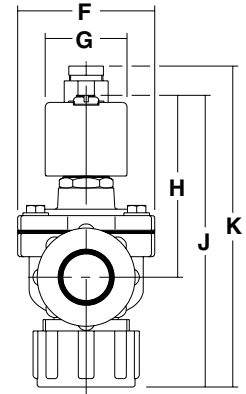
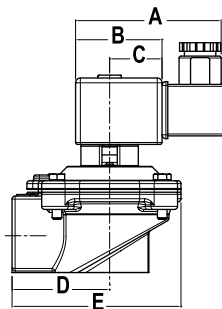


Fig. 3: Threaded pipe connection - stainless steel

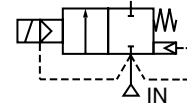


catalogue number	A	B	C	D	E	F	G	H	J	K	weight (1)	(C)
SC(DU)G353A043	75	45	27	51	89	75	39	92	113	130	0,70	Fig. 1
SC(DU)G353A044	75	45	27	51	89	75	39	92	113	130	0,65	Fig. 1
SC(DU)G353-052	75	45	27	81	125	75	39	92	175	195	0,85	Fig. 2
SC(DU)G353-053	75	45	27	81	125	75	39	92	175	195	0,90	Fig. 2
SC(DU)G353A132	75	45	27	51	89	75	39	92	113	130	1,30	Fig. 3
SC(DU)G353A133	75	45	27	51	89	75	39	92	113	130	1,20	Fig. 3

(1) Incl. coil and connector

(C) Construction type

All leaflets are available on: www.asconumatics.eu



FEATURES

- The diaphragm pulse valves are especially designed for dust collector service applications, combining high flow, long life and extremely fast opening and closing to produce reliable and economical operation
- Integral compression fittings for fast, easy, secure installation
- The high quality diaphragms are reinforced and wear resistant to guarantee a long operating life, even under harsh conditions
- The integral operators are provided with epoxy moulded F-class coils. Various optional waterproof and explosionproof solenoids for use in potentially explosive atmospheres (gas & dust) according to Directive ATEX 94/9/EC can be mounted on the same basic valve (see pages 49 to 57)
- The valves satisfy all relevant EC directives

GENERAL

Differential pressure (PS) 0,35 - 8,5 bar [1 bar = 100kPa]
Ambient temperature range -20 to +85°C

fluids (*)	temperature range (TS)	diaphragm (*)
Luft	-20 to +85 °C	CR

MATERIALS IN CONTACT WITH FLUID

(*) Ensure that the compatibility of the fluids in contact with the materials is verified

Body Aluminium / Stainless steel 316L
Core tube Stainless steel
Core and plugnut Stainless steel
Core spring Stainless steel
Sealings & disc NBR (nitrile)
Diaphragm CR (chloroprene)
Shading coil Copper
Coil insulation class F
Connector Spade plug (cable Ø 6 - 10 mm)
Connector specification ISO 4400
Electrical safety IEC 335

ELECTRICAL CHARACTERISTICS

Standard voltages DC (=): 24V
(Other voltages and 60 Hz on request) AC (~): 24V - 115V - 230V / 50 Hz

coil type	nominal power ratings				operator temperature range (TS) (°C)	protection
	inrush	holding		hot/cold		
	~	~	=	=		
	(VA)	(VA)	(W)	(W)		
CM6-FT	34	15,6	6	-	-20 to +85	IP65/IP67
CM6-FT ⁽¹⁾	-	-	-	14 / 20,8		IP65/IP67
CMXX-FT	55	23	10,5	-		ATEX-NF
CMXX-FF	-	-	-	14 / 19,7		ATEX-NF

(1) Intermittent duty, Relative Duty Time is 10%. Max. on time is 1 min.

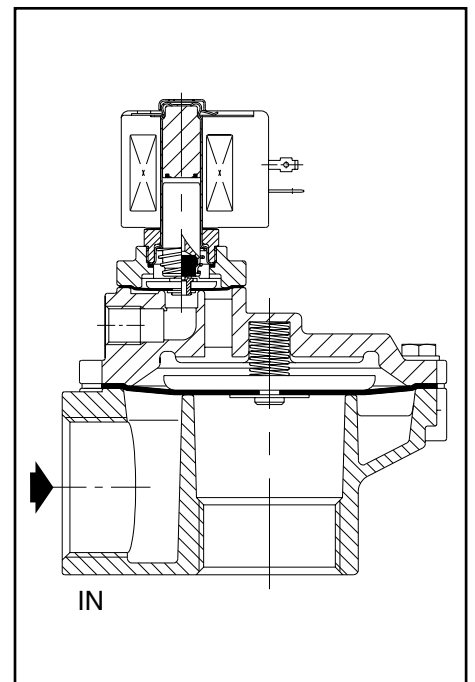
SPECIFICATIONS

pipe size	orifice size	flow coefficient Kv		operating pressure differential (bar)		prefix optional solenoids					catalogue number		FPM		
						ATEX									
						min.	max. (PS)	air (*)	SC	WP	SCDU	WP(T)DU		NF	aluminium
G	(mm)	(m³/h)	(l/min)			~									
G - Threaded pipe connection															
1 1/2	52	44	733	0,35	8,5	●	●	●	●	●	●	●	G353A047	G353A134 ⁽¹⁾	V
2	66	77	1290	0,35	8,5	●	●	●	●	●	●	●	G353A050	-	V
2 1/2	66	92	1540	0,35	8,5	●	●	●	●	●	●	●	G353A051	-	V
3	76	170	2833	1	6	●	●	●	●	●	●	●	G353.060 ⁽¹⁾	-	V
Ø - Compression fitting pipe connection															
1 1/2	52	44	733	0,35	8,5	●	●	●	●	●	●	●	G353A065 ⁽²⁾	-	V

● : Available feature

(1) Contains spring above the main diaphragm

(2) Threaded pipe connection is external (male thread)



DP14241GB-2012/R01 Availability, design and specifications are subject to change without notice. All rights reserved.

OPTIONS

- Waterproof enclosure with embedded screw terminal coil according to protection class IP67, CEE 10
- Explosionproof solenoids for hazardous locations according to ATEX and national standards
- **IECEX** certification
- Hose connection executions (3" only)
- Compliance with "UL" standards
- Plug with visual indication and/or peak voltage suppression
- Electronic timer
- Valves can also be supplied with FPM (fluoroelastomer) diaphragms and seals. Use the appropriate optional suffix letter for identification

INSTALLATION

- The valves can be mounted in any position without affecting operation
- Threaded pipe connection is G (ISO 228/1) or compression fitting
- For compression fitting types tightness is achieved by the compressed gasket on the blow tube
- The use of the rubber gaskets as sealing members will allow a slight misalignment in piping when using compression fittings
- Other pipe threads are available on request
- Installation/maintenance instructions are included with each valve
- Spare parts kits and replacement coils are available

DIMENSIONS (mm), WEIGHT (kg)

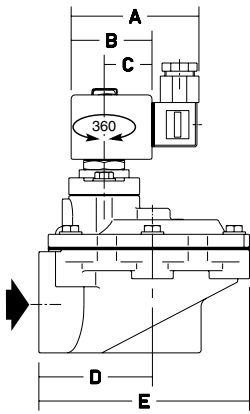


Fig. 1: Threaded pipe connection - aluminium

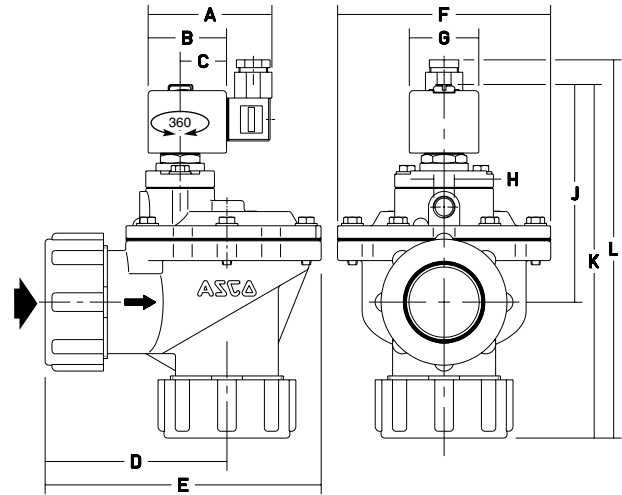


Fig. 2: Compression type fitting - aluminium

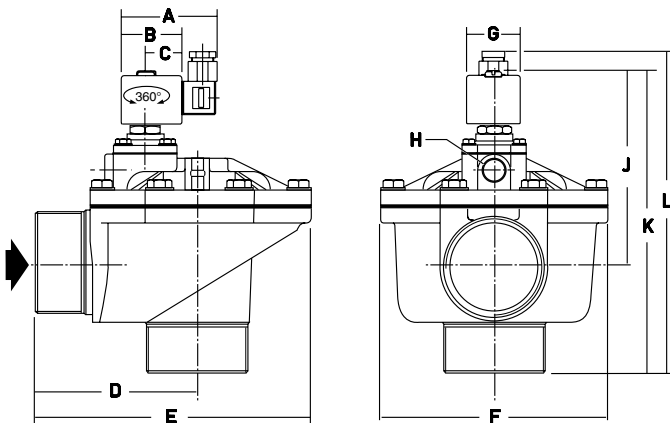


Fig. 3: External threaded type - aluminium

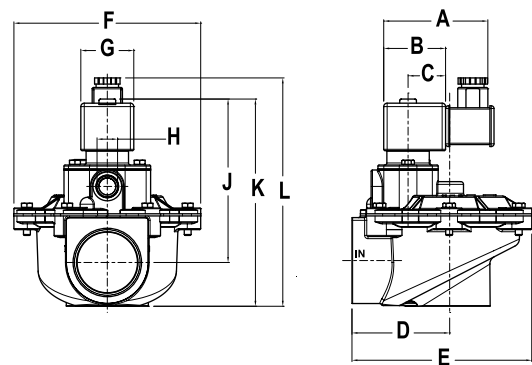


Fig. 4: Threaded pipe connection - stainless steel

catalogue number	A	B	C	D	E	F	G	H	J	K	L	weight (1)	(C)
SC(DU)G353A047	80	50	30	71	130	136	45	G 3/8	131	161	178	1,4	Fig. 1
SC(DU)G353A050	80	50	30	95	168	165	45	G 3/4	165	210	227	2,9	Fig. 1
SC(DU) G353-051	80	50	30	95	168	165	45	G 3/4	165	210	227	2,6	Fig. 1
SC(DU) G353-060	80	50	30	143	240	192	45	G 1/2	165	258	275	4,1	Fig. 2
SC(DU)G353A065	80	50	30	117	177	136	45	G 3/8	131	225	242	1,75	Fig. 3
SC(DU)G353A134	80	50	30	71	130	136	45	G 3/8	131	161	178	2,5	Fig. 4

(1) Incl. coil and connector

(C) Construction type

All leaflets are available on: www.asconumatics.eu

FEATURES

- Power Pulse Tank System using aluminium profile and end covers with CE approval according to Directive 97/23/EC for Pressure Equipment
- Full immersed valve system with special springless piston/diaphragm design offers highest peak pressure and best flow performance operating features required for dust collector applications
- The high quality TPE piston/diaphragm guarantees a long operating life and a large temperature range
- Possibility to apply different combinations of pitch distances and upto 24 valves
- Easy to connect to other tank systems. Service connections for different accessories such as: filter regulator, pressure gauge, safety valve and automatic/manual drain valve
- Several blow pipe connections available, such as: Quick Mount, push-in, hose or threaded
- Built-in silencers reduce the noise and prevent foreign particles from entering the valve
- The integral operators are provided with epoxy moulded F-class coils. Various optional waterproof and explosionproof solenoids for use in potentially explosive atmospheres (gas & dust) according to Directive ATEX 94/9/EC can be mounted on the same basic valve (see pages 49 to 57)



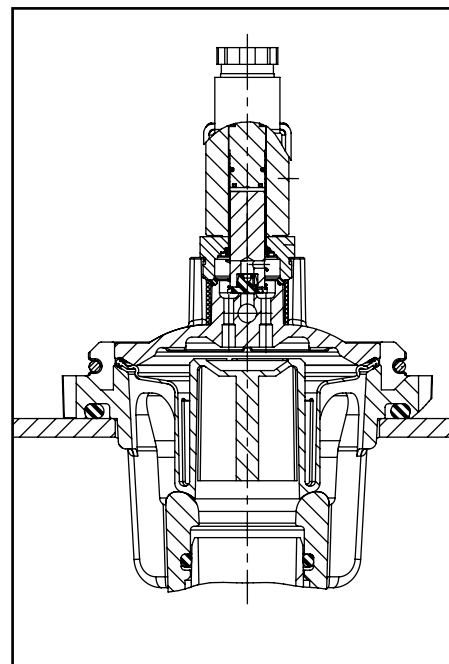
GENERAL

Differential pressure (PS) 0,3 to 8,5 bar [1 bar = 100 kPa]
Ambient temperature range -20°C to +85°C

Tank System

volume 0,20 dm³ per cm tank
recommended min. tank volume 10 dm³ (equals to 500 mm tank length)
min. pitch distance 120 mm
maximum length 3000 mm
min. pulse time 50 ms

fluid	temperature range (TS)	piston/diaphragm
air	-20 to +100 °C	TPE (thermoplastic polyester elastomer)



CONSTRUCTION

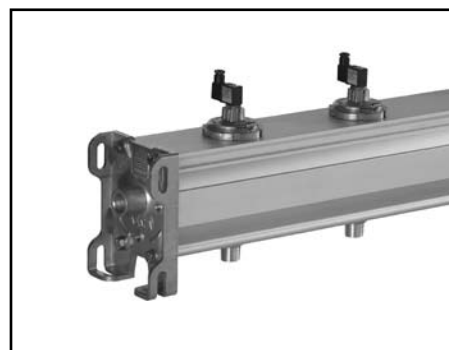
Tank	Anodized aluminium
Adapter/body	Aluminium
Clipping	Stainless steel
Clamps	Stainless steel
Bolts (clamps)	Stainless steel
Core tube	Stainless steel
Core and plugnut	Stainless steel
Core spring	Stainless steel
Sealings & disc	NBR (nitrile)
Piston/diaphragm	TPE (thermoplastic polyester elastomer)
Shading coil	Copper
Coil insulation class	F
Connector	Spade plug (cable Ø 6 - 8 mm)
Connector specification	3 x DIN 46244
Electrical safety	IEC 335

ELECTRICAL CHARACTERISTICS

Standard voltages DC (=) 24V
 (Other voltages and 60 Hz on request) AC (-) 24V - 115V - 230V/50Hz

coil type	nominal power ratings				ambient temperature range (°C)	protection
	inrush ~ (VA)	holding ~ (VA) (W)		hot/cold = (W)		
CM22-FT	14,5	11	6,3	-	-20 to +85	moulded IP65
CM22-FI (1)	-	-	-	15/22	-20 to +85	moulded IP65

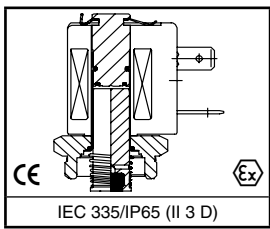
(1) Intermittent duty, Relative Duty Time is 10%. Max. on time 1 min.



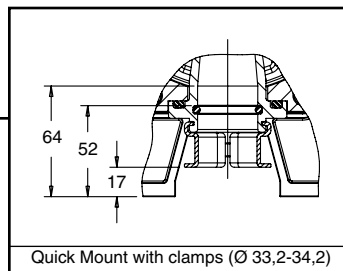
SPECIFICATIONS

pipe size	orifice size (mm)	flow coefficient Kv (m³/h) (l/min)		operating pressure differential (bar)			coil type		catalogue number
				min.	maximum (PS)		~	=	
					air				
1"	25	23	384	0,30	~ 8,5	= 8,5	~ CM22-FT	= CM22-FI	.. E355A ...

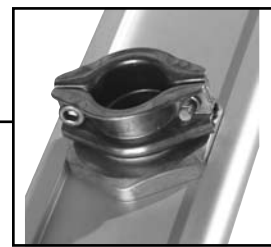
ORDERING INFORMATION - for example: SC E355A J 06 (Specify Voltage/Hz) + **Dimension code (specified on next page)**



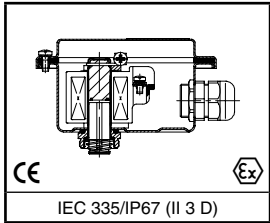
SC (DU) E 3 5 5 A



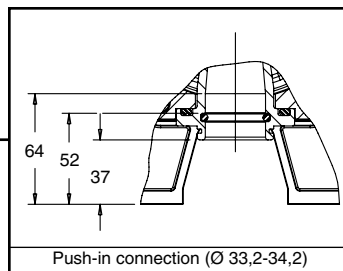
J



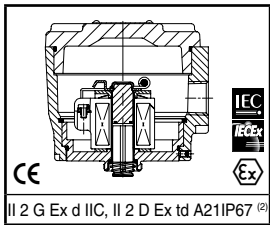
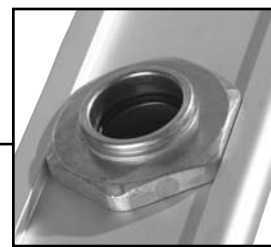
06⁽¹⁾



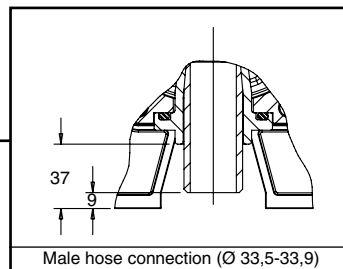
WP (WPDU)



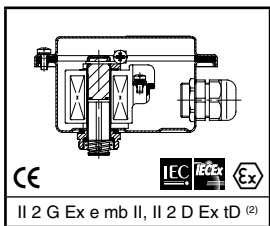
K



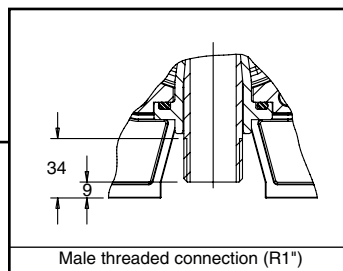
NF



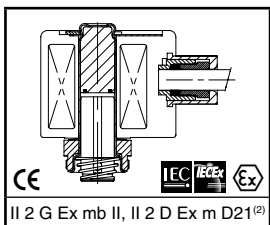
L



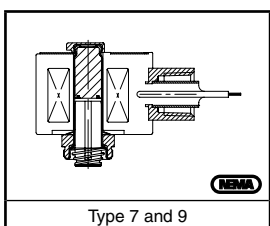
EM



M



PV



EF

⁽¹⁾ Specify required number of valves between 01 and 24

⁽²⁾ Exact temperature class depends on wattage and max. ambient temperature (see also page 48 to 56)

ORDERING INFORMATION DIMENSION CODE

Start distance	A	(min. 110 mm)
Standard pitch	B/C/D	(min. 120 mm)
Deviating pitch	B/C/D	(min. 120 mm)
End distance	A	(min. 110 mm)

Example I: Dimension code for a 4 valves tank system:

Operator	SC, 24V/DC
Connection	Quick Mount
Number of valves	4 pcs
Start and End distance	110 mm
Standard pitch	120 mm
Deviating pitch	Between valve 2 and 3 is position C (see fig. 2); 150 mm
Catalogue number	SC E355AJ04 24V/DC
Dimension code	110120C150
Complete order number	SC E355AJ04 24V/DC + 110120C150

Example II: Dimension code for a 8 valves tank system:

Operator	SC, 230/50
Connection	Thread
Number of valves	8 pcs
Start and End distance	150 mm
Standard pitch	160 mm
Deviating pitch	Between valve 2 and 3, 4 and 5, 6 and 7 is position C, E and G; 200 mm
Catalogue number	SC E355AM08 230/50
Dimension code	150160CEG200
Complete order number	SC E355AM08 230/50 + 150160CEG200

For assistance please consult our website: www.asconumatics.eu


DIMENSIONS (mm), WEIGHT (kg) 

Fig. 1 (front view)

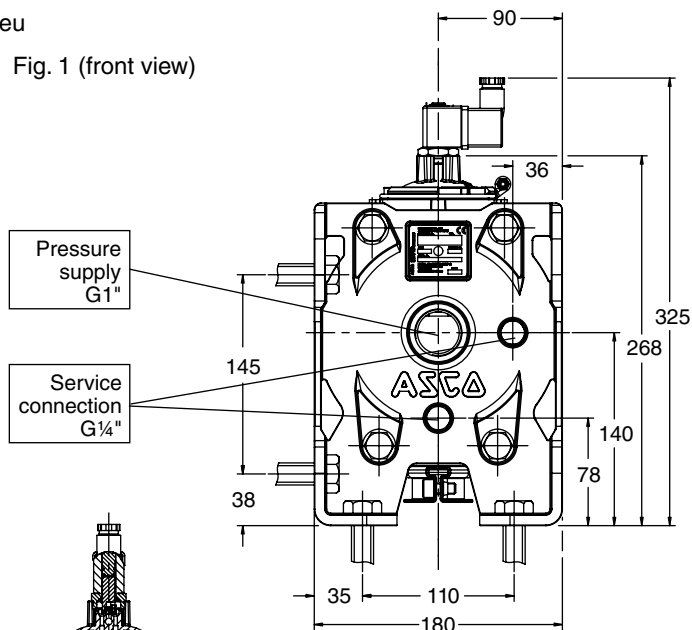
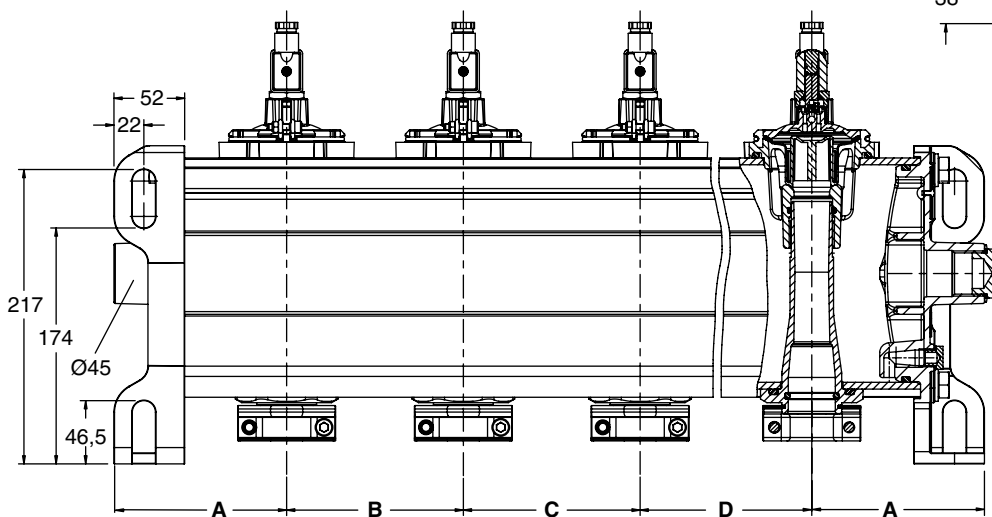


Fig. 2 (side view)



X003GB-2009/R8
Availability, design and specifications are subject to change without notice. All rights reserved.

OPTIONS


- Special customized executions
- Waterproof enclosures with embedded screw terminal coil according to protection class IP67, CEE 10
- Explosionproof solenoids for hazardous locations according to "ATEX" and national standards
- Explosionproof and watertight solenoids according to "NEMA" standards
- Separate Quick Mount clamps for outlet connection; kit number: **C132-679**

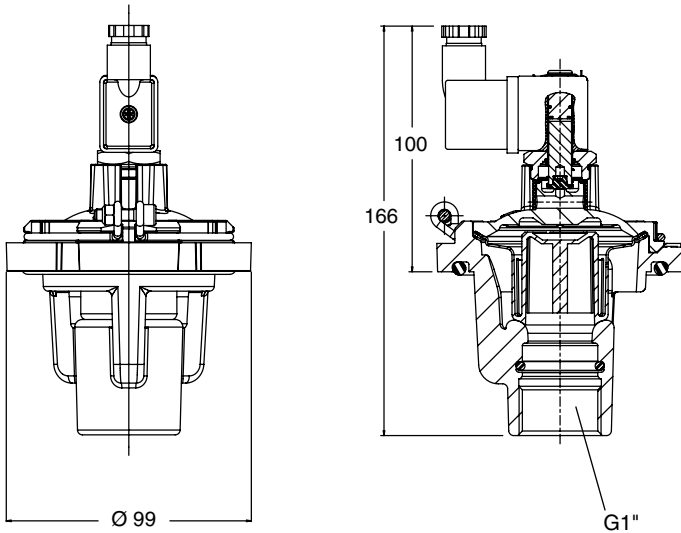
INSTALLATION

- Tank system can be mounted in any position using the standard brackets integrated in the end cap (M12 bolts recommended) without affecting operation
- Pipe connection identifier is: R = according to ISO 7/1, G = according to ISO 228/1 or Ø for other outlet connections
- For Quick Mount types tightness is achieved by the O-ring sealing on the pipe (1" = Ø33,2 to 34,2) according to ISO 4200
- Installation/maintenance instructions and declaration of conformity are included with each tank system
- Spare valves, spare parts kits and coils are available

SEPARATE / SPARE POWER PULSE VALVES

FEATURES - (same as for the tank system)

DIMENSIONS (mm), **WEIGHT** (kg) 



SPECIFICATIONS

pipe size	standard catalogue catalogue number	ATEX dust II3D catalogue number	weight (1)
(G) Female threaded connection (ISO 228/1)			
1"	SC E353A237	SCDU E353A237	0,558

(1) = incl. coil and connector

FEATURES

- Immersion tank system using steel profile and welded end covers with CE approval according to Directive 87/404/EC
- Immersed valve system with special diaphragm design offers highest peak pressure and best flow performance operating features required for dust collector applications
- The high quality diaphragms are reinforced and wear resistant to guarantee a long operating life, even under harsh conditions
- Possibility to apply different combinations of pitch distances
- Service connections for different accessories such as: filter regulator, pressure gauge, safety valve and automatic/manual drain valve
- Available with hose and threaded blow pipe connections
- The integral operators are provided with epoxy moulded F-class coils

GENERAL

Differential pressure (PS) 0,35 to 8 bar [1 bar = 100kPa]
Ambient temperature range -10 to +80°C

fluid	temperature range (TS)	seal materials
air	-10 to +80°C	CR (chloroprene)

CONSTRUCTION

Tank	Steel, grey
Bonnet	Aluminium
Bolts	Stainless steel
Core tube	Stainless steel
Core and plugnut	Stainless steel
Spring	Stainless steel
Sealing & discs	NBR (nitrile)
Diaphragm	CR (chloroprene)
Shading coil	Copper
Coil insulation class	F
Connector	Spade plug (cable Ø 6-10mm)
Connector specification	ISO 4400
Electrical safety	IEC 335

ELECTRICAL CHARACTERISTICS

Standard voltages: DC (=) : 24V - 48V;
 (Other voltages and 60 Hz on request) AC (~) : 24V - 48V - 115V - 230V / 50Hz

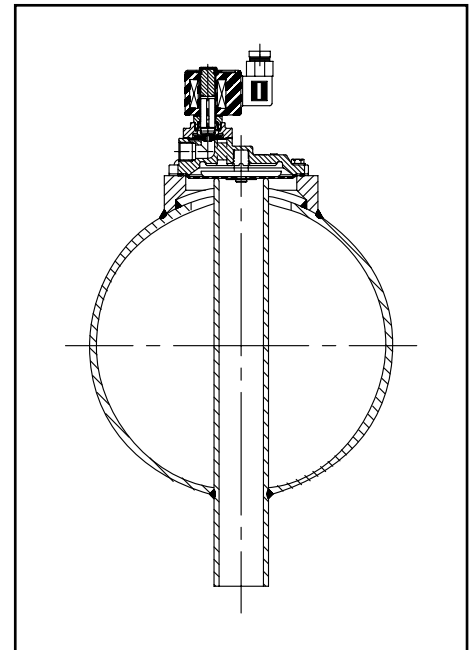
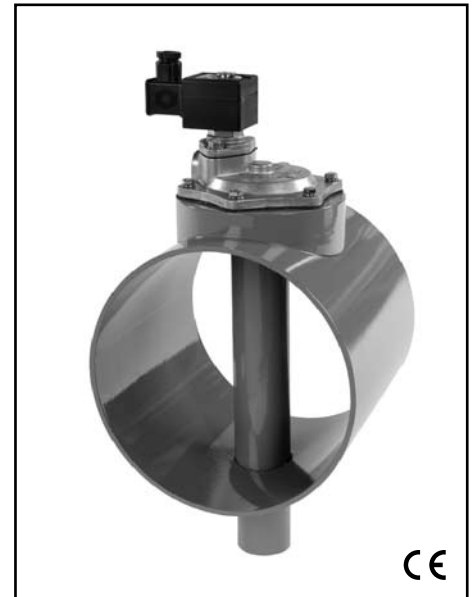
coil type	nominal power ratings			protection
	inrush	holding	hot/cold	
	~ (VA)	~ (VA)	= (W)	
CMXX-FT	55	23	10,5	moulded IP65
CMXX-FT	-	-	14 / 19,7	

SPECIFICATIONS

pipe size	orifice size (mm)	flow coefficient Kv (m³/h) (l/min)		operating pressure differential (bar)		catalogue number	
				min	max. (PS)		
					air ~ / =	hose	threaded
6" Tank System							
1"	25	17	283	0,35	8	SCG357AExx ^{(1) (2)}	SCG357AFxx ^{(1) (2)}
8" Tank System							
1 1/2"	40	46	768	0,35	8	SCG357ANxx ^{(1) (2)}	SCG357AOxx ^{(1) (2)}
10" Tank System							
2"	66	77	1290	0,35	8	SCG357AVxx ^{(1) (2)}	SCG357AWxx ^{(1) (2)}

⁽¹⁾ Standard tank has round ends. For flat ends use suffix FE

⁽²⁾ xx indicates the number of valves

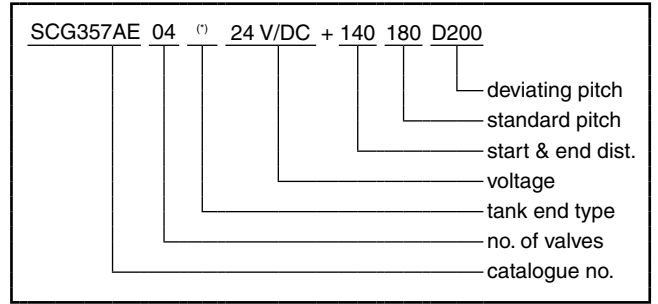


ORDERING

Example: Dimension code for a 4 valves tank system:

Tank diameter	6"
Operator	SC, 24V/DC
Pipe size	1"
Connection	Hose (see fig. 1: Connection Type)
Number of valves	4 pcs
Start and End distance	140 mm
Standard pitch	180 mm
Deviating pitch	Between valve no. 3 and no. 4 is position D (see fig. 1) 200 mm
Catalogue number	SCG357AE04 24V/DC
Dimension code	140180D200

ORDERING EXAMPLE TANK SYSTEM:



DIMENSIONS (mm)

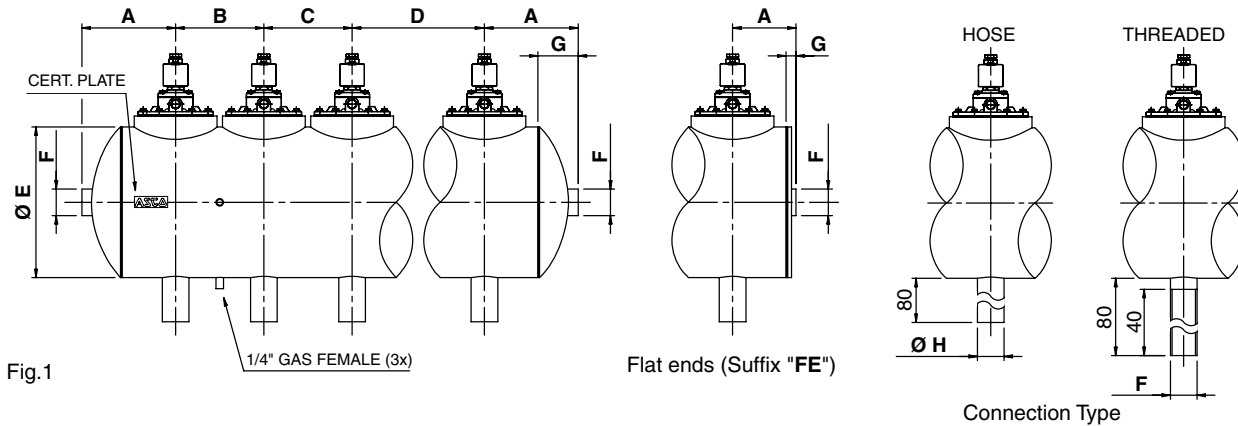


Fig.1

Flat ends (Suffix "FE")

Connection Type

tank diameter	fig.	A		B / C / D		A		Ø E	F	G		Ø H
		min. start distance (round)	(flat)	minimum pitch (round)	(flat)	min. end distance (round)	(flat)					
6"	1	140	105	120	120	140	105	168,3	G 1"	50	15	33,4
8"		170	118	160	160	170	118	218,1	G 1 1/2"	70	18	48,3
10"		205	133	185	185	205	133	273,0	G 2"	90	18	48,3

(*) For standard tank (round ends) use no suffix, for flat ends use suffix FE

MOUNTING BRACKETS

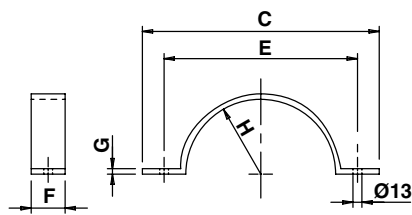


Fig.2 - Contra bracket

tank diameter	fig.	C	Ø E	F	G	H
6"	2	292	230	50	8	84
8"		348	284	50	8	110
10"		424	350	50	8	136

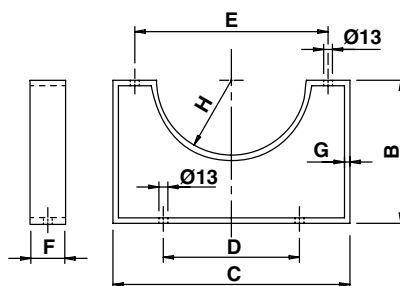


Fig.3 - Bracket

tank diameter	fig.	B	C	D	Ø E	F	G	H
6"	3	170	292	150	230	50	8	84
8"		210	348	200	284	50	8	110
10"		161	424	250	350	50	8	136

INSTALLATION

- Tank System can be mounted in any position. We can supply standard mounting brackets with each tank by specifying suffix MB behind the catalogue number (see figure 2 and 3)
- Installation / maintenance instructions and declaration of conformity are included with each tank system
- Spare part kits and coils are available