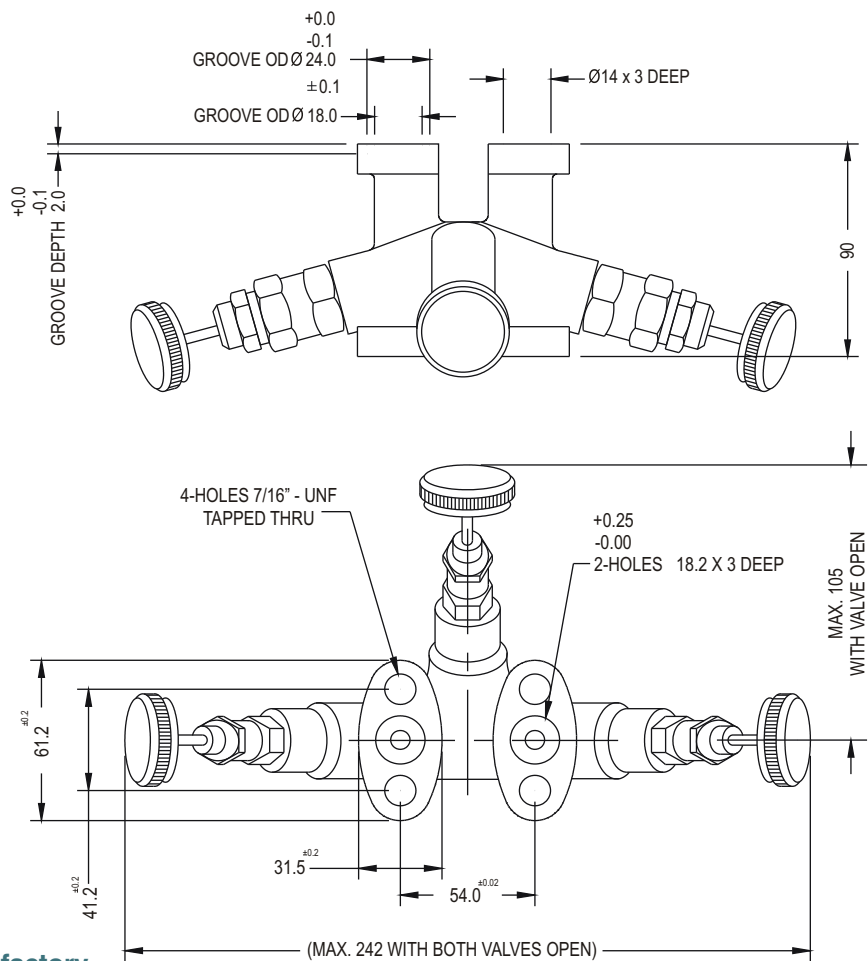
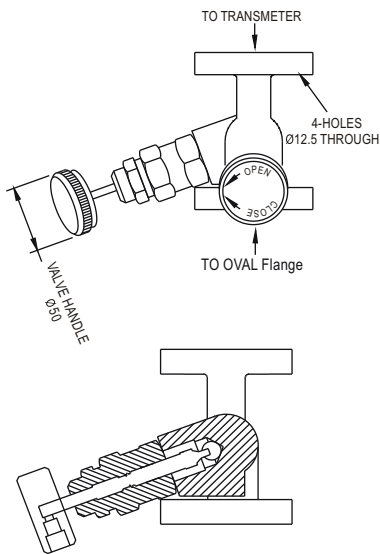
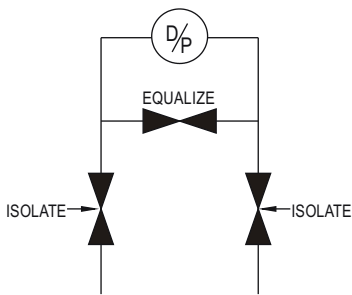


3VCN

Special Three valve manifold with body made of casting. The standard Series of SS 316 material withstands a pressure of 6000 psi and is used for isolation and equalizing. Connection : Special [oval Flange] Accessory provided : Kidney Flange for mounting



For Further details please contact factory.