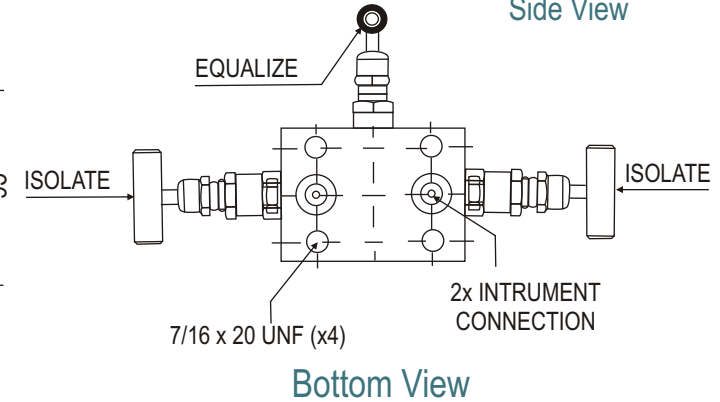
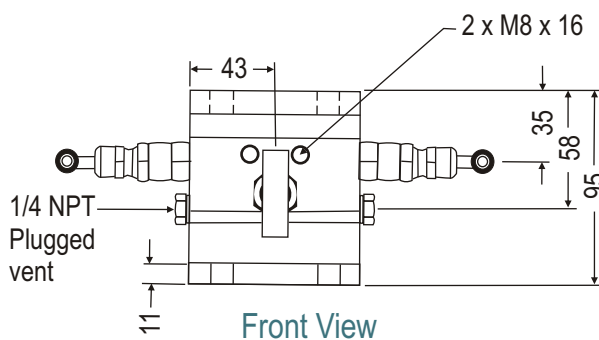
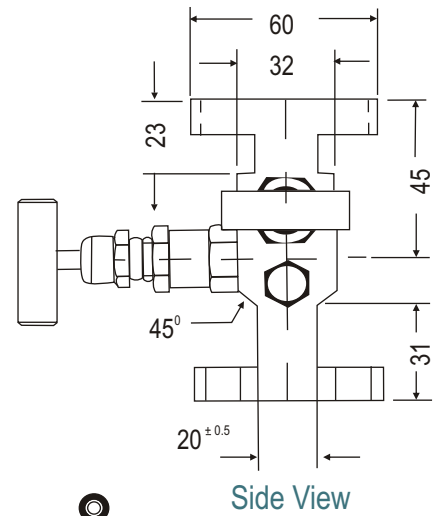
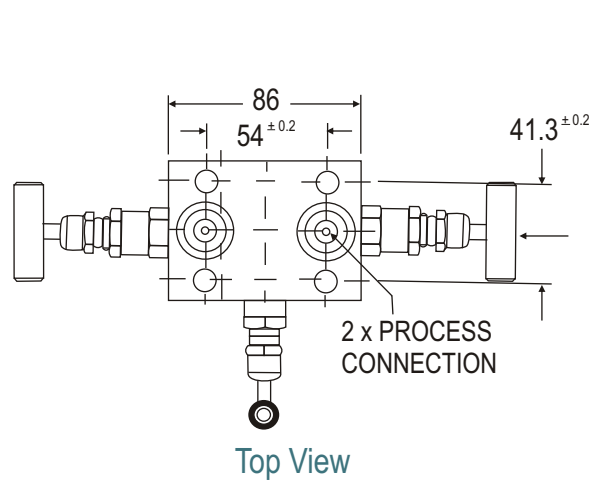
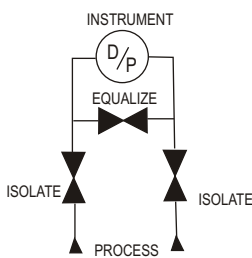
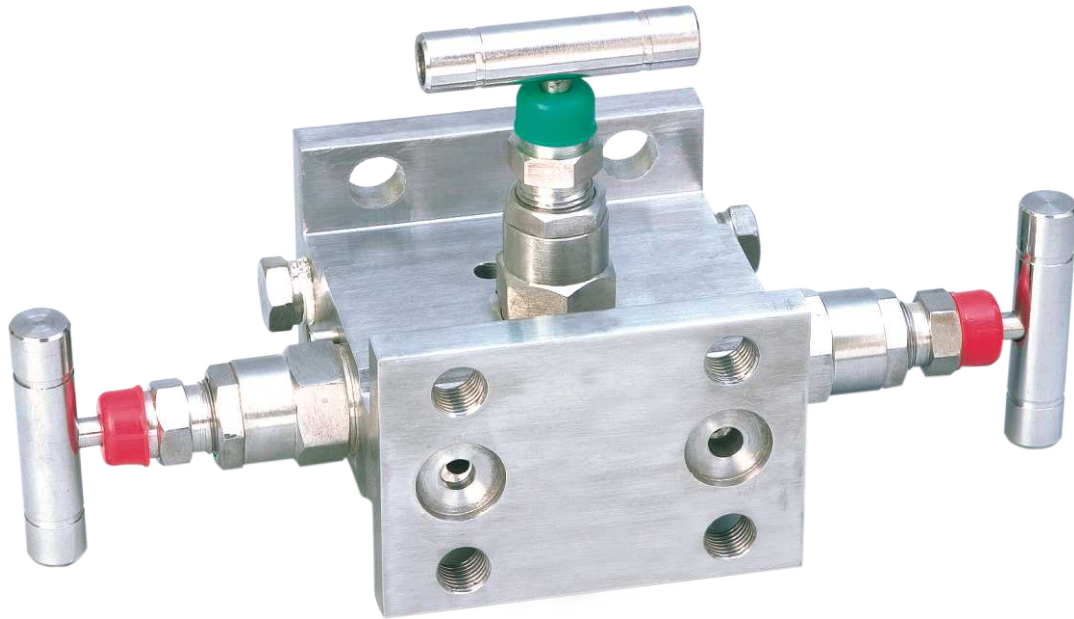


3VH

With Flange horizontal port inlets on the front side and Flange outlets on the back side. Two test connections positioned on the left and right hand side of the body. The isolating bonnets are positioned on the left and right hand side and the equalizing bonnet is positioned on the top.



Standard connection

| Product | Process side | Instrument side | Vent/Test |
|---------|--------------|-----------------|-----------------|
| 3VH | Flange | Flange | 1/4" NPT female |

Standard version specifications of Series 3VH

| | |
|-----------------------------|---|
| Body | : SS 316 |
| Stem | : SS 316 |
| Valve assembly | : SS 316 |
| T' bar handle | : SS 304 |
| Maximum working pressure | : 6000 psi |
| Maximum working temperature | : 240°C |
| Packing | : PTFE (Grafoil for temperature above 240°C to 550°C) |
| Type of stem | : Type CT; Stem with conical metal tip |
| Drain port | : 1/4" NPT [F]; provided with SS 316 plug |
| Hard Chrome plating | : Provided on stem tip. |

How to order : Valve Type - 3VH

| Body Material | Stem Type | Stem Packing | Size = Inlet x Outlet | Connections | Threads |
|------------------|-----------|----------------|-----------------------|-----------------------------|------------------------|
| C = Carbon Steel | CT (std) | P = PTFE (std) | 4F= 1/2" x Flange | FD = Female x Flange (54mm) | N = NPT (ANSI B1.20.1) |
| S = SS 316 (std) | DS | G = Grafoil | 2F = 1/4" x Flange | SW = Socket Weld | P = BSPP (BS2779) |
| SL = SS 316L | | | | DD = Flange x Flange (54mm) | B = BSPT (BS21) |
| M = Monel 400 | | | | | |
| H = Hastelloy C | | | | | |

Options

- GH : Material test certificate
- GO : Hydro test certificate
- MBC : Mounting bolts [7/16" UNF] in carbon steel
- MBS : Mounting bolts [7/16" UNF] in SS
- IE : Circular plastic.
- TF : Sour gas service to NACE standard MR-01-75.
- SG : Oxygen service. (manifolds are supplied cleaned and degreased)
- DS : Valves with stem having soft conical and delrin tip rolled into the needle for gas service.
- MB : Mounting bracket

Example

To place an order simply refer to the codes in the table.

Valve Type + **Body Material** + **Stem Type** + **Stem Packing** + **Size** + **Connections** + **Threads** + **Options**
 3VH + S + CT + P + 4F + FD + N = 3VT-S-CT-P-4F-FD-N-Options

NOTE:

- The weld prepared types are available with female plain end - suitable for socket weld.
- Anti-tamper bonnet - special design on request with locking arrangement if desired.