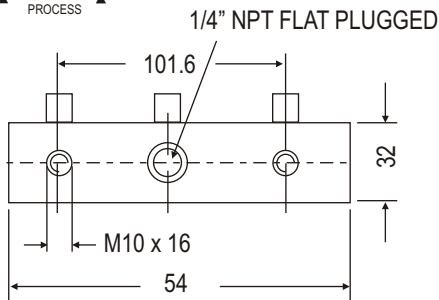
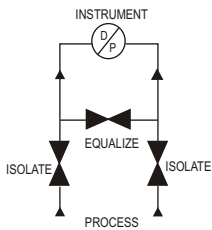
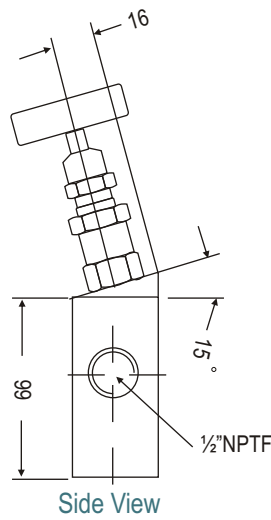


3VO

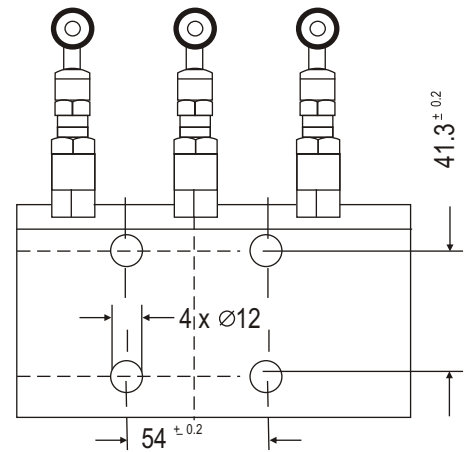
With threaded horizontal port inlets on the left and right hand side and Flange outlets on the back side. The isolating bonnets and the equalizing bonnets are positioned angular on the top of the body.



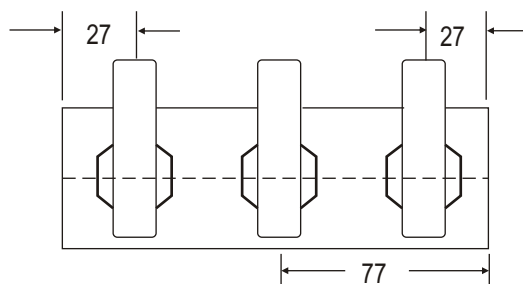
Bottom View



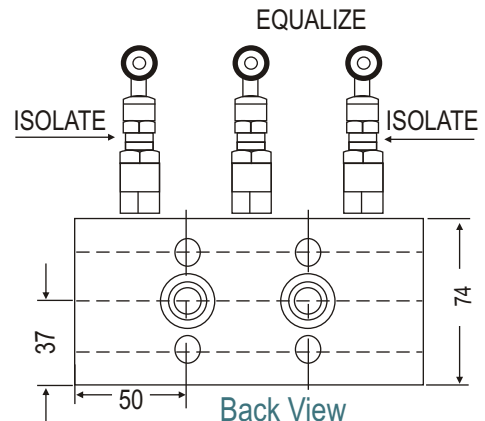
Side View



Front View



Top View



Back View

Standard connection

Product	Process side	Instrument side
3VO	1/2" NPT female	Flange

Standard version specifications of Series 3VO

Body	: SS 316
Stem	: SS 316
Valve assembly	: SS 316
T' bar handle	: SS 304
Maximum working pressure	: 6000 psi
Maximum working temperature	: 240°C
Packing	: PTFE (Grafoil for temperature above 240°C to 550°C)
Type of stem	: Type CT; Stem with conical metal tip
Drain port	: 1/4" NPT [F]; provided with SS 316 plug [not available in Series 3VA]
Hard Chrome plating	: Provided on stem tip.

How to order : Valve Type - 3VO

Body Material	Stem Type	Stem Packing	Size = Inlet x Outlet	Connections	Threads
C = Carbon Steel	CT (std)	P = PTFE (std)	4F = 1/2"x Flange	FD = Female x Flange (54mm)	N = NPT (ANSI B1.20.1)
S = SS 316 (std)	DS	G = Grafoil	2F = 1/4"x Flange	FR = Female X Female Rotating	P = BSPP (BS2779)
SL = SS 316L					B = BSPT (BS21)
M = Monel 400				SW = Socket Weld	
H = Hastelloy C					

Options

- GH : Material test certificate
- GO : Hydro test certificate
- MBC : Mounting bolts [7/16" UNF] in carbon steel
- MBS : Mounting bolts [7/16" UNF] in SS
- IE : Circular plastic.
- TF : Sour gas service to NACE standard MR-01-75.
- SG : Oxygen service. (manifolds are supplied cleaned and degreased)
- DS : Valves with stem having soft conical and delrin tip rolled into the needle for gas service.
- MB : Mounting bracket

Example

To place an order simply refer to the codes in the table.

Valve Type : Body Material + Stem Type + Stem Packing + Size + Connections + Threads + Options

3VO + S + CT + P + 4F + FD + N = 3VA-S-CT-P-4F-FD-N-Options

NOTE:

- The weld prepared types are available with female plain end - suitable for socket weld.
- Anti-tamper bonnet - special design on request with locking arrangement if desired.