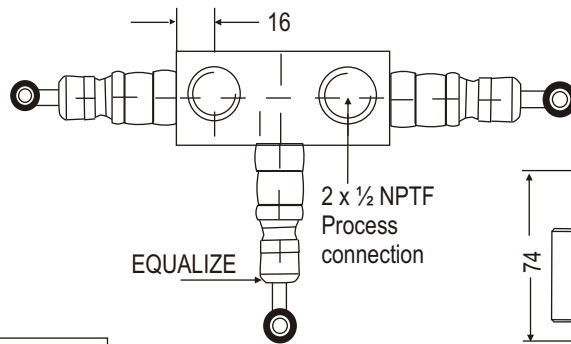
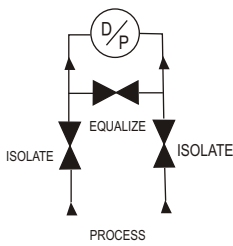
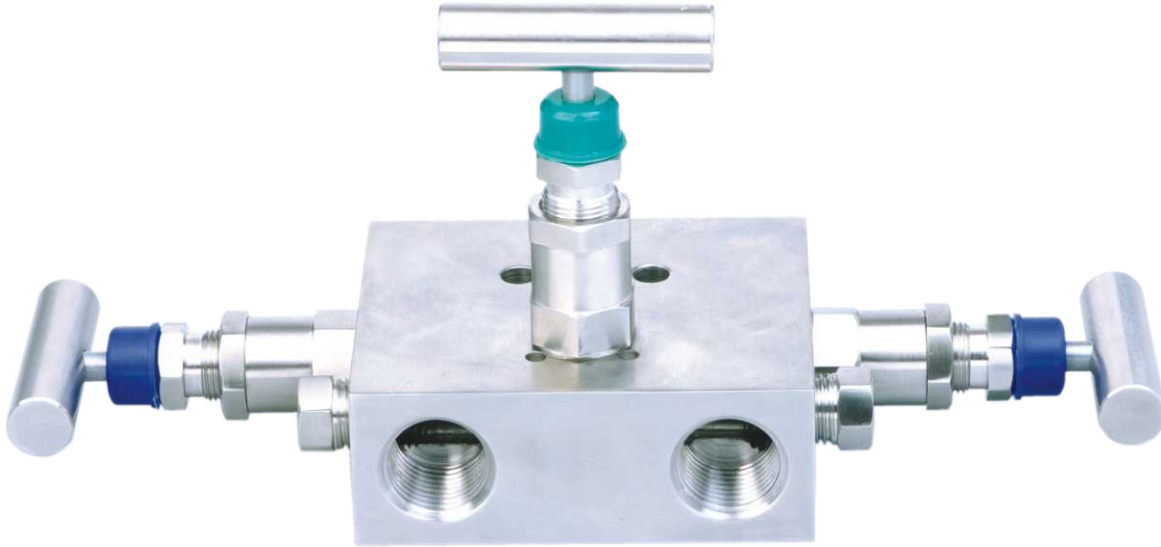
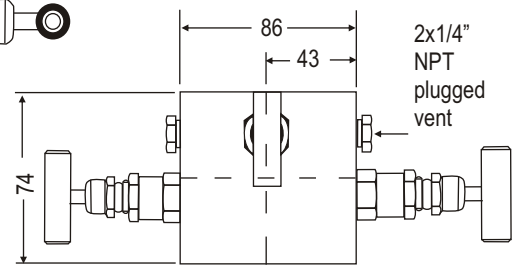


3VS

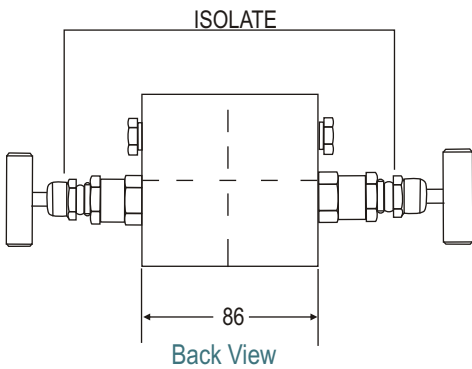
With two threaded vertical port inlets and outlets, both test connections are positioned on the left and right hand side. The two isolating bonnets are positioned on the left and right hand side and the equalizing bonnet is positioned on the front.



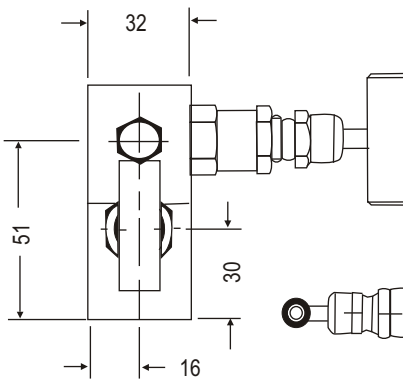
Top View



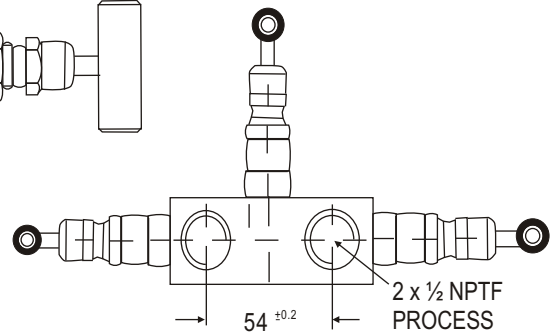
Front View



Back View



Side View



Bottom View

Standard connection

Product	Process side	Instrument side	Vent/Test
3VS	1/2" NPT female	1/2" NPT female	1/4" NPT female

Standard version specifications of Series 3VS

Body	: SS 316
Stem	: SS 316
Valve assembly	: SS 316
'T' bar handle	: SS 304
Maximum working pressure	: 6000 psi [not available in Series 3VMN]
Maximum working temperature	: 240°C
Packing	: PTFE (Grafoil for temperature above 240°C to 550°C)
Type of stem	: Type CT; Stem with conical metal tip
Drain port	: 1/4" NPT [F]; provided with SS 316 plug [not available in Series 3VMN]
Hard Chrome plating	: Provided on stem tip

How to order : Valve Type - 3VS

Body Material	Stem Type	Stem Packing	Size = Inlet x Outlet	Connections	Threads
C = Carbon Steel	CT (std)	P = PTFE (std)	24 = 1/4" x 1/4"	FF = Female x Female (Std)	N = NPT (ANSI B1.20.1)
S = SS 316 (std)	DS	G = Grafoil	44 = 1/2" x 1/2" (std)	SW = Socket Weld	P = BSPP (BS2779)
SL = SS 316L					B = BSPT (BS21)
M = Monel 400					
H = Hastelloy C					

Options

- GH : Material test certificate
- GO : Hydro test certificate
- MBC : Mounting bolts [7/16" UNF] in carbon steel
- MBS : Mounting bolts [7/16" UNF] in SS
- IE : Circular plastic.
- TF : Sour gas service to NACE standard MR-01-75.
- SG : Oxygen service. (manifolds are supplied cleaned and degreased)
- DS : Valves with stem having soft conical and delrin tip rolled into the needle for gas service.
- MB : Mounting bracket

Example

To place an order simply refer to the codes in the table.

Valve Type	:	Body Material	+	Stem Type	+	Stem Packing	+	Size	+	Connections	+	Threads	+	Options
3VS		C		CT		P		44		FF		N		= 3VS-C-CT-P-44-FF-N-Options

NOTE:

- The weld prepared types are available with female plain end - suitable for socket weld.
- Anti-tamper bonnet - special design on request with locking arrangement if desired.